

MAXCUT RADIAL ARM DRILLS



TPR - 720A

TPR - 820A

TPR - 920A

TPR - 1100

TPR - 1230

TPR - 1230H

TPR - C1250

TPR - C1600

TPR - 1600H

TPR - C2500

720-1100/ 1230

- Adopts mechanic switch with forward/ reverse functions and longer service life with low damage.
- The arm is made of high-class cast-iron. Arm slide is under strict heat-treatment and grinding.
- 2HP motor can provide diverse speed selection under heavy-duty cutting.
- The main spindle is balanced by special spring. And is more durable than all traditional balance mechanism.
- The over-load protective devices can secure the operator against injury.
- Extra auxiliary dial for spindle feed depth indication. With this indicator, we can review the momental feed depth of spindle 1through 210mm at any moment.

TPR-1100



TPR-1230

TPR-720A



TPR-820A



TPR-920A

TC-1250H



TC-1250H/1600H/ TPR-1600H/2000H

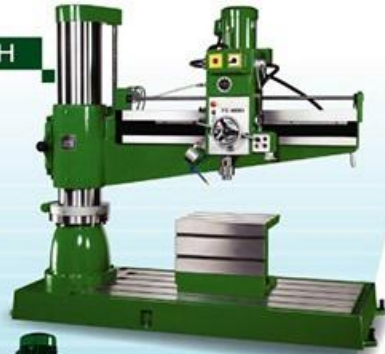
- The Radial Drill Arm adopts IC Timer with advantage of one bottom press, it can automatically release up and vertical down, stop, and automatically clamping easy to operate. The spindle can still maintain in original set after the tools change.
- Exclusively for gears type cycling oil pump is furnished to cool off precise gears inside gear box, and minimize excessive wear on gears to lowest extent.
- Friction type disc clutch is adopted to absorb impact force caused by vertical movement of spindle, and effectively protect all transmission unit inside gear box. With the function of quick spindle return, this clutch will also help us to speed up our tapping operation.
- Special arm elevating safety device is provided to prevent arm from falling down abruptly after year of usage . It will keep us from injurious dropping whenever the copper nut is excessively worn.
- Gear box adopts precision high-speed gears, mechanical shift simple manipulation, horsepower sufficiently, is a high-efficiency low-noise models
- Special automatic tool eject device is supplied to enable us to shift tools efficiently.(suitable for TPR- 1600H/TPR- 2000H)

C2500

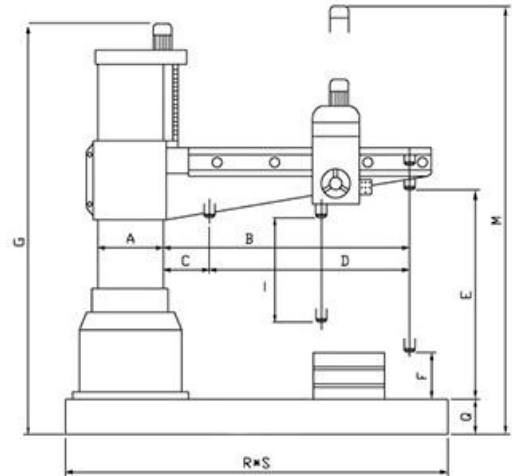
- ④ The Radial Drill Arm adopts IC Timer with advantage of one bottom press, it can automatically release up and vertical down, stop, and automatically clamping easy to operate. The spindle can still maintain in original set after the tools change.
- ④ Exclusively for gears type cycling oil pump is furnished to cool off precise gears inside gear box, and minimize excessive wear on gears to lowest extent.
- ④ Friction type disc clutch is adopted to absorb impact force caused by vertical movement of spindle, and effectively protect all transmission unit inside gear box. With the function of quick spindle return, this clutch will also help us to speed up our tapping operation.
- ④ Special arm elevating safety device is provided to prevent arm from falling down abruptly after year of usage. It will keep us from injurious dropping whenever the copper nut is excessively worn.
- ④ The Column, arm, and gear box with advantage of independently or synchronous clamping/unclamping automatically or manual.
- ④ Free speed preselection, speed change id hydraulically actuated. Fast and very easy to be operated.



TC-1600H



TPR-2000H



Standard accessory:

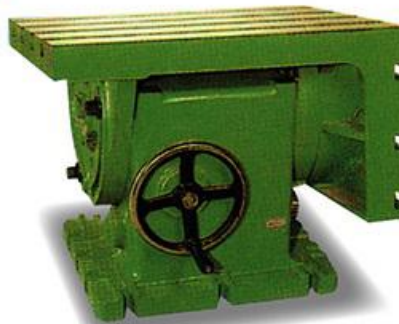
- Adjustment tools (box included)..... 1 set
- Cooling device (pump included)..... 1 set
- Lighting device (fluorescent lamp included)..... 1 set
- Box-type Work Table..... 1 set

Special Optionals/Tilt Tables

Uni-tilt table tilts s full 90 degrees. Calibrated indicator shows degree of tilt has accurately planed top

Dimensions (L x W x H)

- ④ 810*710*610 m/m (Large size)
Application:TC-1250H/TC-1600H/TPR-1600H
TPR-2000H/TPR-C2500
- ④ 520*510*570 m/m (small size)
Application:TPR-720A-1600H





Unit/mm

MODEL		TPR-720A	TPR-820A	TPR-920A	TPR-1100	TPR-1230	
Dai.of column		210			260	300	A
Distance from column surface to spindle center, Max		750	850	950	1100	1170	D+C
Distance from column surface to spindle center, Min		220			280	340	C
Travel of spindle head		530	630	730	820	890	D
Distance from base surface to spindle end, Max		1060	1210		1270	1370	E
Distance from base surface to spindle end, Min		260	350		470	490	F
Elevating height of Arm		580	640		570	630	E-F-I
Effective area of box table		600x445x380			635x520x415	635x520x415	LxKxH
Dimension of base		1260x640x160			1725x715x180	1725x715x180	RxSxQ
Taper hole spindle		MT#4			MT#4	MT#4	
Stroke of spindle		220			230	250	I
R.P.M of spindle (rpm x steps)		88, 154, 282, 455, 796, 1500x6			44-1500x12	44-1500x12	
Feed of spindle (rev.x steps)		0.05, 0.09, 0.15x3			0.05, 0.09, 0.15x3	0.05, 0.09, 0.15x3	
Main motor (HP)		2HP			3(two speed motor)	3(two speed motor)	
Elevating motor (HP)		1HP			1HP	1HP	
Clamping motor(HP)						1HP	
Coolant equipment (HP)		1/8HP			1/8HP	1/8HP	
Machine height from floor (Max.)		2170	2320		2530	2780	M
Base + column height		1850	2010		2000	2060	G
Net weight (approx)kgs		1120	1200	1250	1800	2100	
Shipping weight (approx)kgs		1250	1340	1400	1950	2300	
Shipping dimensions (LxWxH)		1680x826x2160	1680x826x2190	1806x826x2190	1880x864x2210	2035x995x2240	
Capacity	Drilling	Steel	32 Φ		42 Φ	42 Φ	
		Cast iron	50 Φ		55 Φ	55 Φ	
	Tapping	Steel	25 Φ		25 Φ	25 Φ	
		Cast iron	32 Φ		38 Φ	38 Φ	

MODEL		TC-1250H	TC-1600H	TPR-1600H	TPR-2000H	TPR-C2500	
Dai.of column		300	320	432		550	A
Distance from column surface to spindle center, Max		1250	1600	1580	2000	2500	D+C
Distance from column surface to spindle center, Min		360	350	440	490	500	C
Travel of spindle head		890	1250	1140	1510	2000	D
Distance from base surface to spindle end, Max		1345	1420	1600	1900	2000	E
Distance from base surface to spindle end, Min		441	465	380	500	550	F
Elevating height of Arm		630	680	850	1100	1000	E-F-I
Effective area of box table		635x520x420	630x500x500	700x500x400	1000x800x500	1000x800x560	LxKxH
Dimension of base		1785x785x190	2550x970x200	2480x1050x210	2908x1102x250	3520x1400x320	RxSxQ
Taper hole spindle		MT#5		MT#5		MT#6	
Stroke of spindle		270		370		450	I
R.P.M of spindle (rpm x steps)		56-1450x12		40-1920x12	35-1890x12	16-1250x16	
Feed of spindle (rev.x steps)		0.06, 0.10, 0.20x3		0.07-0.96x6		0.04, 3.20x16	
Main motor (HP)		5(two speed motor)		7-1/2HP		10HP	
Elevating motor (HP)		1HP	2HP	2HP	3HP	5HP	
Hydraulic clamping motor(HP)		1HP		1HP		1HP	
Coolant equipment (HP)		1/8HP		1/8HP		1/4HP	
Machine height from floor (Max.)		2645	2760	3170	3470	3990	M
Base + column height		2080	2186	2660	2960	3850	G
Net weight (approx)kgs		2300	3300	4600	5600	11000	
Shipping weight (approx)kgs		2500	3800	5100	6600	12500	
Shipping dimensions (LxWxH)		2060x995x2240	2670x1120x2410	2850x1400x2940	3105x1400x3300	4000x1600x3850	
Capacity	Drilling	Steel	50 Φ		65 Φ	80 Φ	
		Cast iron	60 Φ		70 Φ	100 Φ	
	Tapping	Steel	40 Φ		50 Φ	65 Φ	
		Cast iron	50 Φ		60 Φ	75 Φ	

* Above specifications for reference only, modifications are not subject to notice in advance



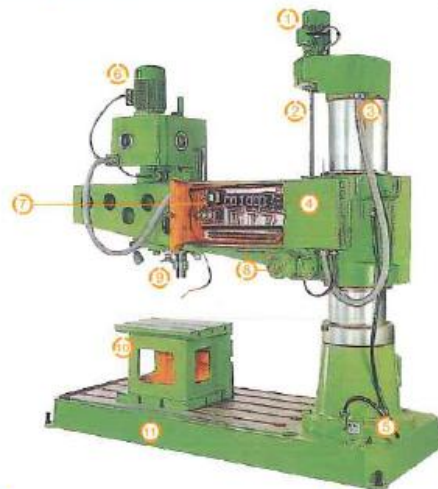
Hydraulic clamping/ TPR-1230H



Electric clamping/ TPR-1230



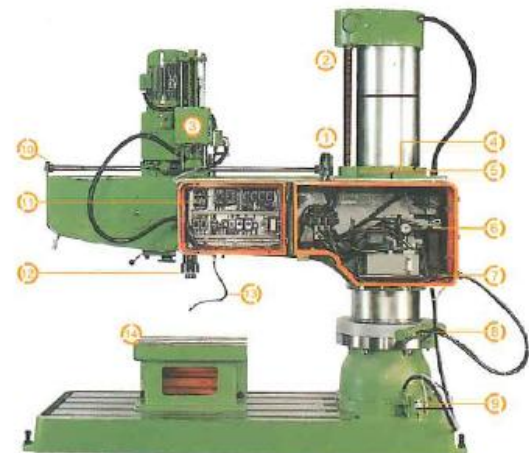
- ① P/B switch for spindle start
- ② P/B switch for spindle stop
- ③ P/B switch for arm lifting
- ④ P/B switch for arm lowering
- ⑤ Selector for step clamping
- ⑥ Emergency stop
- ⑦ P/B switch for clamping
- ⑧ P/B switch for unclamping
- ⑨ Lever for spindle hydraulically forward/reverse turn
- ⑩ Control lever for clutch
- ⑪ Hand wheel for fine feed
- ⑫ Knob for spindle speed selection
- ⑬ Knob for feed rate selection
- ⑭ Horn for auto and manual feed
- ⑮ Hand wheel for hand horizontal movement
- ⑯ Regulator for feed depth selection and fine adjustment
- ⑰ Dial for feed depth indication
- ⑱ Spindle
- ⑲ Sight glass
- ⑳ Oil level sight glass
- ㉑ Sight glass for lube check
- ㉒ Work light
- ㉓ Switch for coolant water



- ① Elevating motor(2HP)
- ② Lead screw
- ③ Column
- ④ Hydraulic flow distributing valve
- ⑤ Coolant pump(1/8HP)
- ⑥ Main motor(5HP)
- ⑦ Electric control unit
- ⑧ Hydraulic pump motor(1HP)
- ⑨ Spindle
- ⑩ Plain box table
- ⑪ Base



- ① ② Structure of feed lever
- ③ Ejecting lever
- ④ Horn
- ⑤ Cross switch
- ⑥ Swing lever
- ⑦ ⑧ Change lever
- ⑨ H.L change lever
- ⑩ Limit hand wheel
- ⑪ Machine oil indicator
- ⑫ Green, release button
- ⑬ Red, clamp button



- ① Oil cylinder base for fasten & loosen gear box
- ② Leading screw
- ③ Spindling weight counter balance unit
- ④ Limit swith, upper
- ⑤ Special arm raising safety device
- ⑥ Hydeaulic control unit
- ⑦ Limit swith, lower
- ⑧ Hydraulic cyclinder
- ⑨ Coolant pump
- ⑩ Leader for fasten & loosen gear box
- ⑪ Electric control unit
- ⑫ Spindle and quill
- ⑬ Coolant nozzle
- ⑭ Plain box table